



## 240W Single Output Industrial DIN RAIL Power Supply

## WDR-240 series



## ■ Features :

- Single and two phase wide input range 180~550VAC
- Built-in active PFC circuit compliance to EN61000-3-2
- High efficiency 91% and low power dissipation
- Protections: Short circuit / Overload / Over voltage / Over temperature
- Cooling by free air convection
- Can be installed on DIN rail TS-35/7.5 or 15
- UL 508(industrial control equipment)approved
- EN61000-6-2(EN50082-2) industrial immunity level
- Built-in DC OK relay contact
- 100% full load burn-in test
- 3 years warranty



## SPECIFICATION

MODEL	WDR-240-24	WDR-240-48	
OUTPUT	DC VOLTAGE	24V	48V
	RATED CURRENT	10A	5A
	CURRENT RANGE	0 ~ 10A	0 ~ 5A
	RATED POWER	240W	240W
	RIPPLE & NOISE (max.) Note.2	150mVp-p	150mVp-p
	VOLTAGE ADJ. RANGE	24 ~ 28V	48 ~ 55V
	VOLTAGE TOLERANCE Note.3	±1.0%	±1.0%
	LINE REGULATION	±0.5%	±0.5%
	LOAD REGULATION	±1.0%	±1.0%
	SETUP, RISE TIME	800ms, 150ms/400VAC	1500ms, 150ms/230VAC at full load
HOLD UP TIME (Typ.)	18ms / 400VAC	18ms / 230VAC at full load	
INPUT	VOLTAGE RANGE Note.6	180 ~ 550VAC	254 ~ 780VDC
	FREQUENCY RANGE	47 ~ 63Hz	
	POWER FACTOR (Typ.)	PF ≥ 0.84/400VAC	PF ≥ 0.84/230VAC
	EFFICIENCY (Typ.)	91%	
	AC CURRENT (Typ.)	1A/400VAC	2A/230VAC
	INRUSH CURRENT (Typ.)	COLD STAR 50A	
	LEAKAGE CURRENT	<3.5mA / 530VAC	
PROTECTION	OVERLOAD	105 ~ 130% rated output power Protection type : Constant current limiting, unit will shut down after 3 sec. , auto-recovery after 1 minute if the fault condition is removed	
	OVER VOLTAGE	29 ~ 33V	56 ~ 65V
	OVER TEMPERATURE	90°C ±5°C (TSW) detect on heatsink of power switch Protection type : Shut down o/p voltage, recovers automatically after temperature goes down	
FUNCTION	DC OK REALY CONTACT RATINGS (max.)	60Vdc/0.3A, 30Vdc/1A, 30Vac/0.5A resistive load	
ENVIRONMENT	WORKING TEMP. Note.5	-30 ~ +70°C (Refer to "Derating Curve")	
	WORKING HUMIDITY	20 ~ 95% RH non-condensing	
	STORAGE TEMP, HUMIDITY	-40 ~ +85°C, 10 ~ 95% RH	
	TEMP. COEFFICIENT	±0.03%/°C (0 ~ 50°C)	
	VIBRATION	Component:10 ~ 500Hz, 2G 10min./1cycle, 60min. each along X, Y, Z axes; Mounting: Compliance to IEC60068-2-6	
SAFETY & EMC (Note 4)	SAFETY STANDARDS	UL508 approved, IEC60950-1 CB approved by SIQ, design refer to GL	
	WITHSTAND VOLTAGE	I/P-O/P:3KVAC I/P-FG:1.5KVAC O/P-FG:0.5KVAC O/P-DC OK:0.5KVAC	
	ISOLATION RESISTANCE	I/P-O/P, I/P-FG, O/P-FG:>100M Ohms / 500VDC / 25°C / 70% RH	
	EMC EMISSION	Compliance to EN55022 (CISPR22), EN61204-3 Class B, EN61000-3-2,-3	
OTHERS	EMC IMMUNITY	Compliance to EN61000-4-2,3,4,5,6,8,11, EN55024, EN61000-6-2 (EN50082-2), EN61204-3, heavy industry level, criteria A approved	
	MTBF	141.1Khrs min. MIL-HDBK-217F (25°C)	
	DIMENSION	63*125.2*113.5mm (W*H*D)	
	PACKING	1.06Kg; 12pcs/13.7Kg/1.06CUFT	
NOTE	<ol style="list-style-type: none"> <li>1. All parameters NOT specially mentioned are measured at 400VAC input, rated load and 25°C of ambient temperature.</li> <li>2. Ripple &amp; noise are measured at 20MHz of bandwidth by using a 12" twisted pair-wire terminated with a 0.1uf &amp; 47uf parallel capacitor.</li> <li>3. Tolerance : includes set up tolerance, line regulation and load regulation.</li> <li>4. The power supply is considered a component which will be installed into a final equipment. The final equipment must be re-confirmed that it still meets EMC directives.</li> <li>5. Installation clearances : 40mm on top, 20mm on the bottom, 5mm on the left and right side are recommended when loaded permanently with full power. In case the adjacent device is a heat source, 15mm clearance is recommended.</li> <li>6. Derating may be needed under low input voltage. Please check the derating curve for more details.</li> </ol>		

File Name:WDR-240-SPEC 2011-11-28



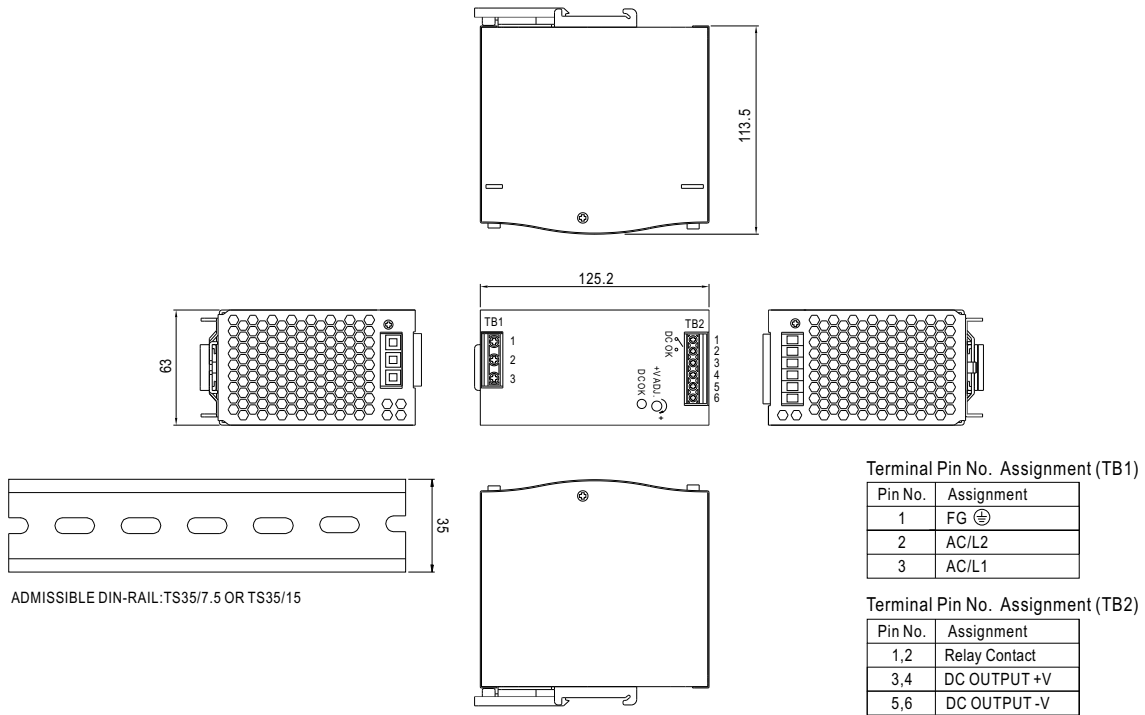


240W Single Output Industrial DIN RAIL Power Supply

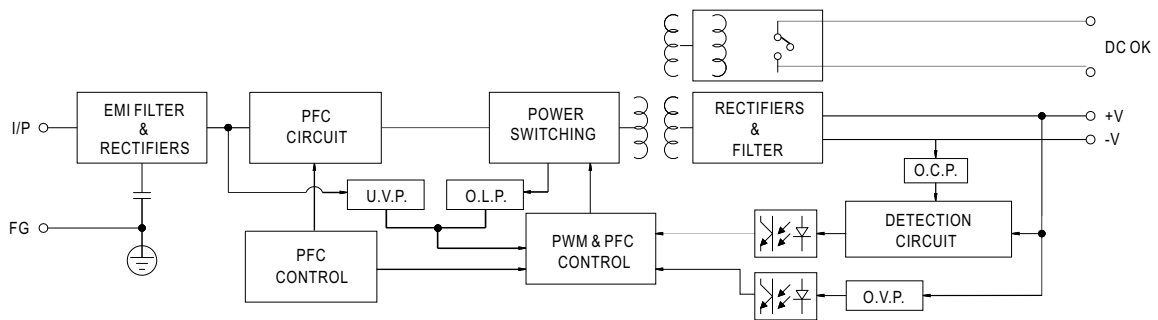
WDR-240 series

**Mechanical Specification**

Case No. 979B Unit:mm



**Block Diagram**



**DC OK Relay Contact**

Contact Close	PSU turns on / DC OK.
Contact Open	PSU turns off / DC Fail.
Contact Ratings (max.)	30V/1A resistive load.

File Name:WDR-240-SPEC 2011-11-28

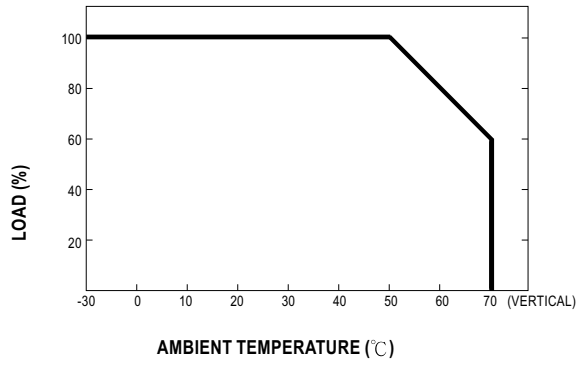




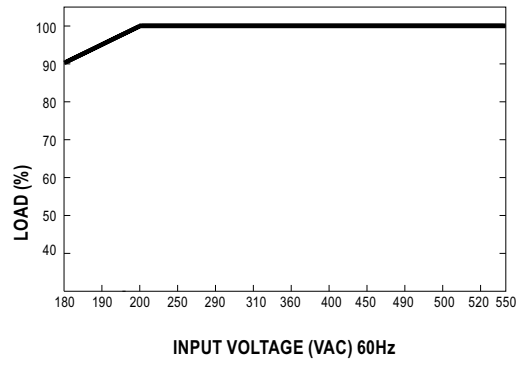
240W Single Output Industrial DIN RAIL Power Supply

**WDR-240** series

■ Derating Curve



■ Output derating VS input voltage



File Name:WDR-240-SPEC 2011-11-28



## We are here for you. Addresses and Contacts

### Sales Switzerland & Liechtenstein

Matthias Rüegg  
Ruhbergstrasse 32  
CH-9230 Flawil

Phone +41 44 877 35 18  
Mobile+41 76 491 66 66  
Fax +41 44 877 35 19

matthias.rueegg@pewatron.com

### Sales International Key Accounts

Peter Felder  
Thurgauerstrasse 66  
CH-8052 Zürich

Phone +41 44 877 35 05  
Mobile+41 79 406 49 83  
Fax +41 44 877 35 25

peter.felder@pewatron.com

### Sales Germany

Postcode 60000–79999

Dieter Hirthe  
Mühlweg 23  
D-71554 Weissach i.T.

Phone +49 719 149 60 58  
Mobile+49 163 762 74 30  
Fax +49 719 193 31 88

dieter.hirthe@pewatron.com

Postcode 10000–59999  
Postcode 80000–99999

Kurt Stritzelberger  
Neumarkter Str. 86a  
D-81673 Munich

Phone +49 89 260 38 47  
Mobile+49 171 803 41 35  
Fax +49 89 43 10 91 91

kurt.stritzelberger@pewatron.com

Key Accounts  
Aerospace and Defence

Claus Wübbena  
Vogelkamp 26  
D-26655 Westerstede

Phone +49 4488 5204 614  
Mobile+49 173 9700 691  
Fax +49 4488 5204 616

claus.wuebbena@pewatron.com

### Sales Austria

Kurt Stritzelberger  
Neumarkter Str. 86a  
D-81673 Munich

Phone +49 89 260 38 47  
Mobile+49 17 18 03 41 35  
Fax +49 89 43 10 91 91

kurt.stritzelberger@pewatron.com

### Sales Other Countries / Product Management

#### Sensors

Physical Sensors  
Data Acquisition

Thomas Clausen  
Phone +41 44 877 35 13  
thomas.clausen@pewatron.com

Geometrical Sensors

Eric Letsch  
Phone +41 44 877 35 14  
eric.letsch@pewatron.com

#### Power Supplies

DC-DC Converters  
Switching Power Supplies  
DC-AC Inverters

Sebastiano Leggio  
Phone +41 44 877 35 06  
sebastiano.leggio@pewatron.com

#### E-Components

Current Sensors  
Man Machine Interface  
Measurement Probes

Sebastiano Leggio  
Phone +41 44 877 35 06  
sebastiano.leggio@pewatron.com

PEWATRON AG  
Thurgauerstrasse 66  
CH-8052 Zurich

Phone +41 44 877 35 00  
Fax +41 44 877 35 25

www.pewatron.com  
info@pewatron.com